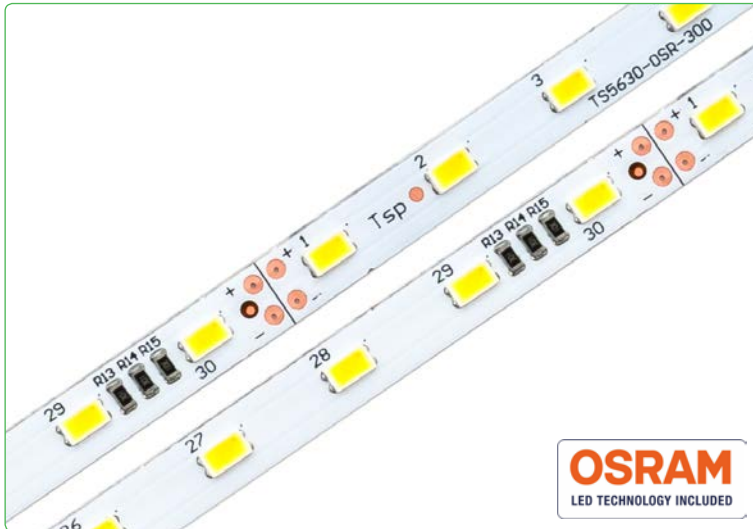
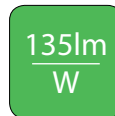
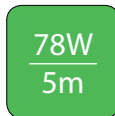


LED STRIP NEONICA - 5630 OSRAM E5 - 300 - 24V



FEATURES

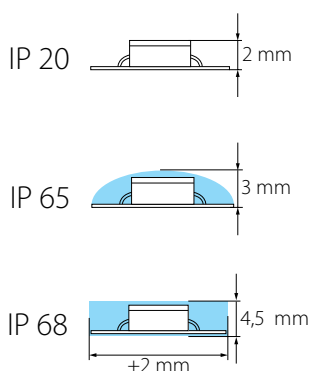
- Highest quality binned LEDs from OSRAM
- LM 80 test report for LEDs
- Equal light output of each LED
- LED lifespan over 100 000 hours
- High colour rendering index CRI > 80
- Over 2000 lm / m, excellent ratio lm / W
- Double thick reinforced FPC background
- Each production batch is laboratory tested
- Double-sided adhesive tape (IP20 & IP65)
- Product environmentally friendly - meets RoHS
- Specjalne pady termiczne do pomiaru temperatury
- Made and designed in Poland
- 5 year warranty



| LED/m | Cutting unit | DC | W/m | CRI | Colour |
|--------|----------------|-----|-------|-----|--|
| 60 qty | 100 mm (6 LED) | 24V | 15,6W | >80 | warm white daylight white cold white |

| Protection class | warm white | daylight white | cold white |
|------------------|------------|----------------|------------|
| IP 20 | 3000 K | 4000 K | 6000 K |
| IP65 | 3800 K | 4800 K | 7000 K |
| IP68 | | | |
| lm/m | 2050 | 2095 | 2100 |

Protection class:



Cutting unit:

