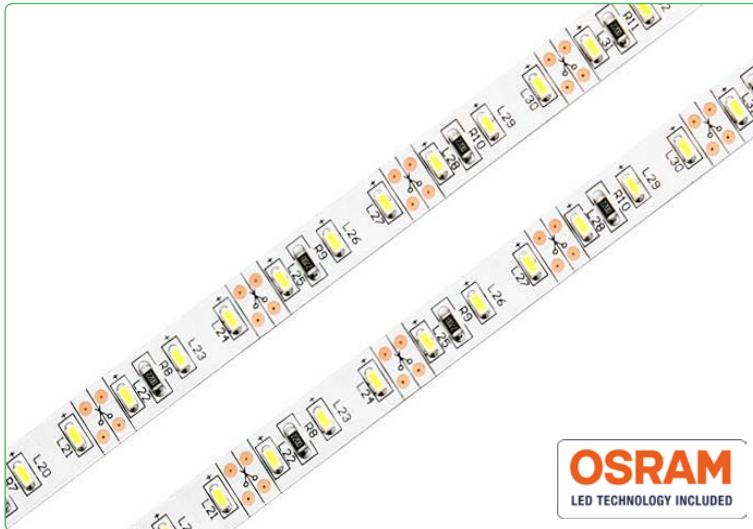
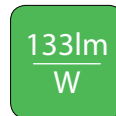
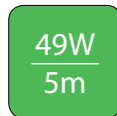


LED STRIP NEONICA - OSRAM DURIS E3 - 600 - 12V



FEATURES

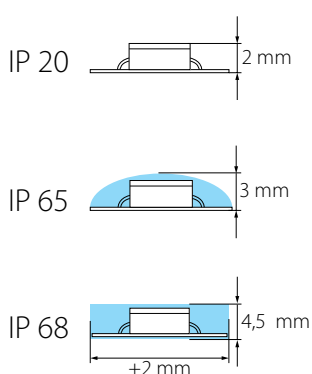
- Highest quality binned LEDs from OSRAM
- LM 80 test report for LEDs
- Equal light output of each LED
- LED lifespan over 100 000 hours
- High colour rendering index CRI > 80
- Over 980 lm / m, excellent ratio lm / W
- Double thick reinforced FPC background
- Each production batch is laboratory tested
- Double-sided adhesive tape (IP20 & IP65)
- Product environmentally friendly - meets RoHS
- Made and designed in Poland
- 5 year warranty



LED/m	Cutting unit	DC	W/m	CRI	Colour
120 qty	25 mm (3 LED)	12V	7,44W	>80	warm white
					daylight white
					cold white

Protection class	warm white	daylight white	cold white
IP 20	3000 K	4000 K	6000 K
IP 65	3800 K	4800 K	7000 K
IP 68			
lm/m	988	988	988

Protection class:



Cutting unit:

