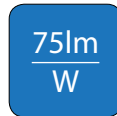
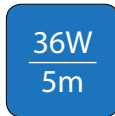


LED STRIP NEONICA - 3528 - 450 - 24V

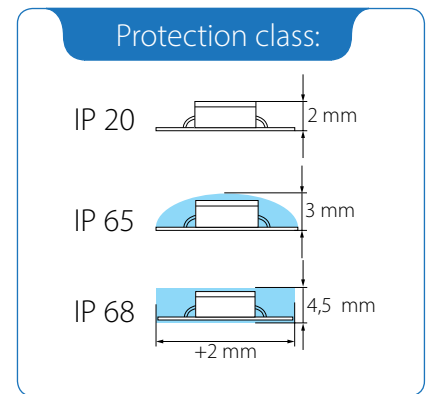


FEATURES

- Equal light output of each LED
- LED lifespan over 100 000 hours
- High colour rendering index CRI > 80
- Energy-efficient - low power consumption
- Additional colors: red, green, blue, yellow
- 540 lm/m, great ratio lm/W
- LED strip to decorative and accent applications
- Double thick reinforced FPC background
- Each production batch is laboratory tested
- Product environmentally friendly - meets RoHS
- Made and designed in Poland
- 3 year warranty



LED/m	Cutting unit	DC	W/m	CRI	Colour
90 qty	56 mm (5 LED)	24V	7,2W	> 80	warm white daylight white cold white red green blue yellow



Protection class	warm white	daylight white	cold white	red	yellow	green	blue
IP 20							
IP 65	2700 - 3500 K	4000 - 4500 K	6000 - 7500 K	620 - 630 nm	588 - 593 nm	510 - 530 nm	460 - 470 nm
IP 68							
lm/m	540	540	540	102	102	114	114

